

TECHNICAL DATA SHEET

“Intus 50” ZD9221/2

Ultra High Resolution True Day/Night Night Vision Cameras



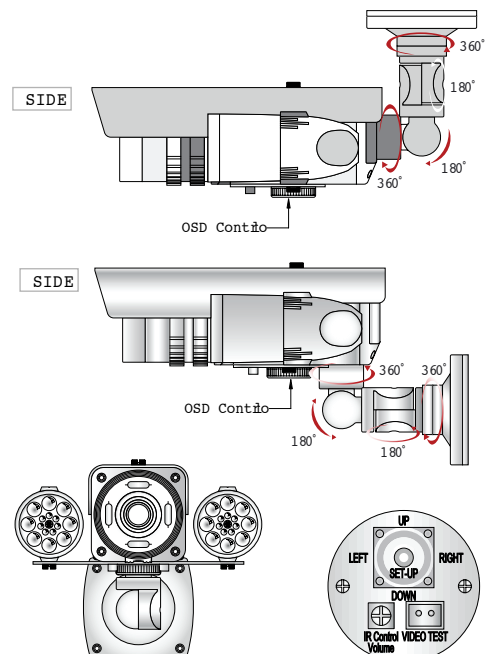
KEY FEATURES

- 1/3” Sony Super HAD CCD
- Ultra High Resolution, 560 TVL
- Impact Resistant Housing
- Sunshield and Heater
- Mechanical IR Cut-Filter
- Digital Noise Reduction (DNR)
- IR Illuminators Fitted on Either Sides
- Built-in 70 IR LEDs with CDS Sensor
- Up To 50 Meters Illumination Range*
- Selectable Gain Control
- Selectable White Balance
- O.S.D. Menu
- Motion Detection
- Privacy Function
- External Control Rings for Easy Focus & Distance Adjustment
- Wall / Ceiling Mount or Soffit / Wall Mount Bracket
- IP66 Rated
- Dual Voltage

ORDERING INFORMATION

ZD9221 Night Vision Camera with 9-22mm DC AI VF Lens, Soffit/Wall Mount

ZD9222 Night Vision Camera with 9-22mm DC AI VF Lens, Wall Mount



TECHNICAL DATA SHEET

TECHNICAL SPECIFICATION

Model Number	ZD9221	ZD9222
Image Sensor	1/3" Sony Super HAD CCD	
Horizontal Resolution	560 TVL	
Sensitivity (F1.2)	0.3 Lux (Col), 0.01 Lux (Mono) 0.002 Lux (Sens-Up ON x128)	
Lens	9-22mm DC AI Varifocal	
Effective Pixels (H x V)	752 x 582	
Electronic Shutter Speed	1/50~1/120,000 Sec	
Scanning System	2:1 Interlace	
Synchronisation	INT/LL Selectable	
Frequency	Horizontal: 15.625KHz Vertical: 50.00Hz	
Video Output	1.0Vp-p~75Ω	
S/N Ratio	>50dB (AGC Off)	
Day / Night	Colour, Auto, B&W	
O.S.D.	Yes, Built-In	
Gain Control	LOW / MIDDLE / HIGH / OFF	
White Balance	ATW / AWB / MANUAL (1800°K~10500°K)	
Back Light Compensation	LOW / MIDDLE / HIGH / OFF	
DNR	LOW / MIDDLE / HIGH / OFF	
Sharpness	ON / OFF (Level Adjustment)	
Privacy Function	ON / OFF (4 Programmable Zones)	
Motion Detection	ON / OFF (4 Programmable Zones)	
Iris Control	DC / VIDEO	
IP Rating	IP66	
IR Illumination Range	50 Meters	
Operating Conditions	Temperature: -10°C ~ +50°C Humidity: 30 ~ 90% RH	
Power Supply	DC 12V / AC 24V	
Power Consumption	960mA (DC 12V) 550mA (AC 24V)	
Dimensions (W x H x D)	195 x 155 x 260 mm	
Weight	2.3 Kg	

Features and specifications are subject to change for further improvement without any notice

* Important Note - The illumination range assumes ideal conditions